

Set # 3-4146

Removal

Spray all nuts to be removed generously with your favorite rust buster.

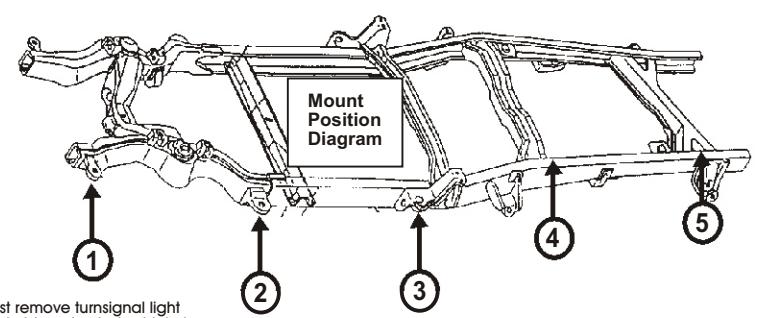
Note: When disassembling, note the quantity and positions of any shims that may have been inserted for body alignment. These shims will have to be reused to insure proper body alignment.

Remember: Only raise body high enough to remove & replace mounts. Always watch the fan shroud for sufficient clearance when raising the body. When jacking the body use a long enough 2X4 or 4X4 for maximum support. Never put jack directly on body panels.

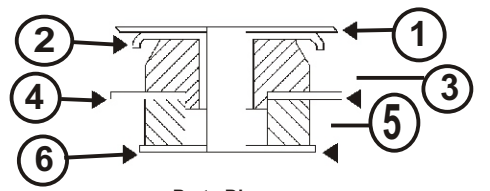
Install mounts one side at a time with bolts on other side loosened only.

Retorque to factory specs.

INST.#17243



Must remove turnsignal light bucket from front of vehicle to access bolt at # 1 position.



Parts Diagram (refer below)

Must reuse factory hardware.

Position # 1

- 1. Body
- 2. Factory washer with sleeve
- 3. 4076
- 4. Frame
- 5. 4078
- 6. Factory washer

Position #2-5

- 1. Body
- 2. Factory washer with sleeve
- 3. 4076
- 4. Frame
- 5. 4079
- 6. Factory washer

Set # 3-4146

Removal

Spray all nuts to be removed generously with your favorite rust buster.

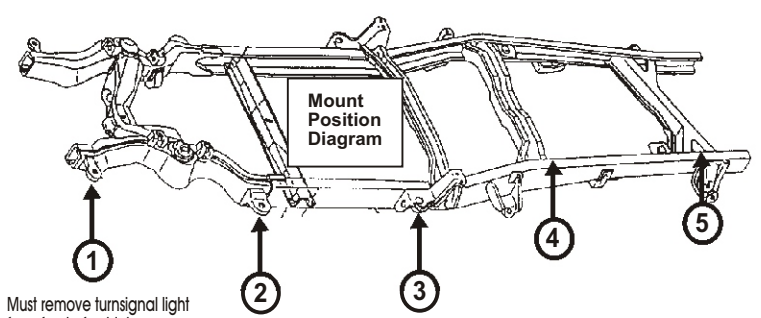
Note: When disassembling, note the quantity and positions of any shims that may have been inserted for body alignment. These shims will have to be reused to insure proper body alignment.

Remember: Only raise body high enough to remove & replace mounts. Always watch the fan shroud for sufficient clearance when raising the body. When jacking the body use a long enough 2X4 or 4X4 for maximum support. Never put jack directly on body panels.

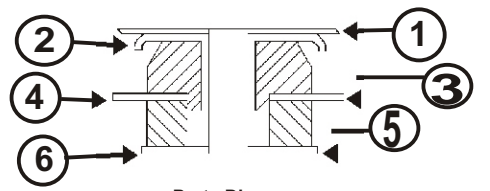
Install mounts one side at a time with bolts on other side loosened only.

Retorque to factory specs.

INST.#17243



Must remove turnsignal light from front of vehicle to access bolt at # 1 position.



Parts Diagram (refer below)

Must reuse factory hardware.

Position # 1

- 1. Body
- 2. Factory washer with sleeve
- 3. 4067
- 4. Frame
- 5. 4068
- 6. Factory washer

Position #2-5

- 1. Body
- 2. Factory washer with sleeve.
- 3. 4076
- 4. Frame
- 5. 4079
- 6. Factory washer