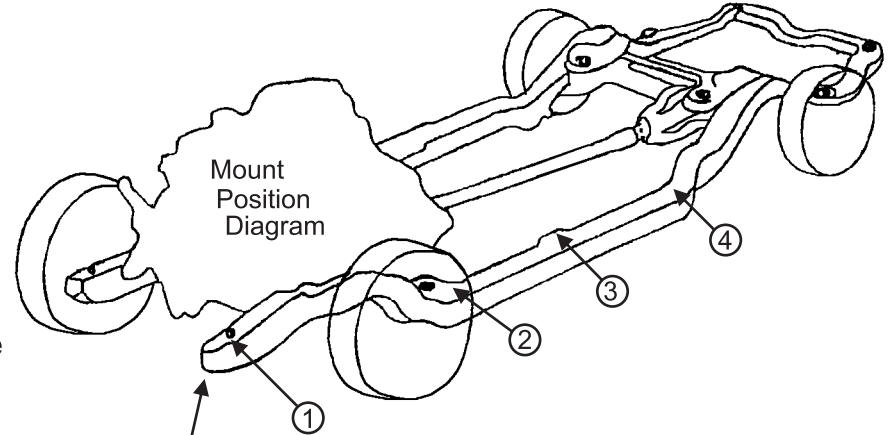


INSTRUCTION SHEET FOR SET #3-4116 & 3-4121

Read this instruction sheet thoroughly before initiating any work!

NOTE: When disassembling the body mounts, be sure to note the number and position of shims that may have been used to align the body. These shims will have to be reused to retain proper body alignment.

CAUTION: Remove all the body mount bolts on one side of the vehicle. Loosen but do not remove all the body mount bolts on the opposite side of the vehicle. Only raise one side of the vehicle at a time, lifting the body only high enough to remove/replace the mounts. Always watch the fan shroud, brake lines, and various hoses for sufficient clearance when raising the body. When jacking the body, use a 2x4 or equivalent to spread the weight. Never place jack faces directly on body panels!



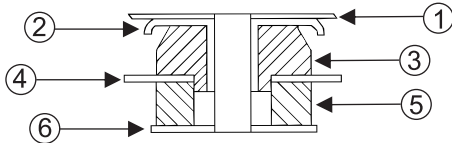
Grill and headlight doors must be removed for access to bolt for position #1

Install mounts one side at a time with bolts on other side loosened only.

Must re-use original hardware.

When all mounts and hardware are installed, torque all bolts to factory specifications.

POSITIONS #1 - #4



Positions #1-2-3-4
(Position #3 used on crew cab only)

1. Body
2. Factory Sleeve
3. 4067
4. Frame
5. 4068
6. Factory Washer

21/JAN/2016 MAX ECN 16006
17023