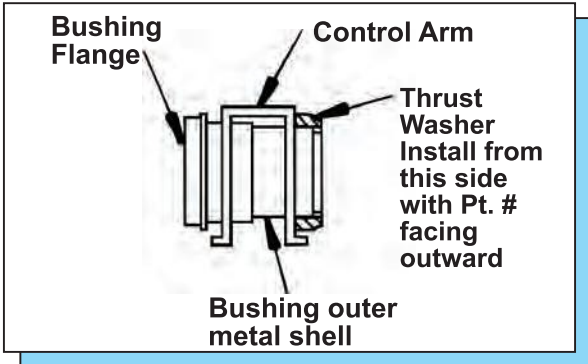


Multi Purpose Differential Thrust-Washer Instruction Sheet

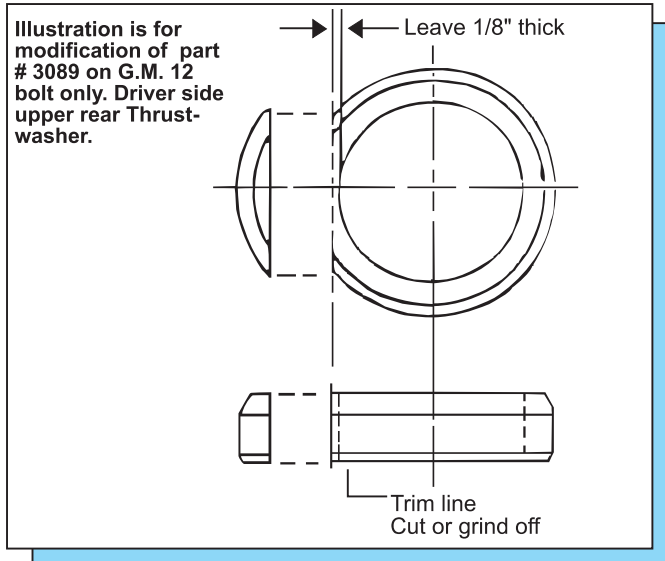
The thrust washers are designed to prevent the control arm from walking side-to-side by accepting side load pressure created during hard cornering. Most kits contain more than one part #. It is very important to install them at the correct location. See illustration for your set #. Remember, apply a light amount of the supplied grease to all faces that contact metal.

Notes: On GM vehicles with a 12 bolt inspection cover, a slight modification must be done to one of Pt. # 3089. A flat area must be cut on thrust washer (see illustration) before installing. This allows for sufficient clearance between bushing outer shell and differential casting on drivers side upper. (12 bolt only) **Set # 3-3132:** Vehicles with boxed in lower control arms use Pt. #3087 instead of Pt. # 3088. 1964-67 vehicles use Pt. # 3088 instead of Pt. # 3087 due to a wider upper control arm.

Note: It is recommended that this set be professionally installed if you are unfamiliar with this type of work, and a factory service manual be purchased prior to performing any work on your vehicle for proper disassembly, reassembly and torque specs. These instructions are intended for bushing removal and install of Energy Suspension polyurethane bushings, once you have removed the factory component from your vehicle.



© 2003 Energy Suspension. All rights reserved. May not be reproduced, in any form, or by any means, without the written consent of Energy Suspension.



Find your set # below. Use parts list with positional diagram **A**

Set # 3-3132(see Notes)
Position # 1 - 3088
Position # 2 - 3088
Position # 3 - 3087
Position # 4 - 3089

Set # 4-3120
Position # 1 - 3087
Position # 2 - 3087
Position # 3 - 3141
Position # 4 - 3142

Set # 3-3133
Position # 1 - 3088
Position # 2 - 3088
Position # 3 - 3088
Position # 4 - 3110

Set # 3-3136
Position # 1 - 3232
Position # 2 - 3232

Set # 3-3140
Position # 1 - 3128
Position # 2 - 3119
Position # 3 - 3114
Position # 4 - 3114

Set # 3-3141
Position # 1 - 3112
Position # 2 - 3112

Set # 4-3114 or 4-3135
Position # 1 - 3100
Position # 2 - 3101
Position # 3 - 3099
Position # 4 - 3098

Set # 4-3115 or 4-3155
Position # 1 - 3109
Position # 2 - 3101
Position # 3 - 3099
Position # 4 - 3098

