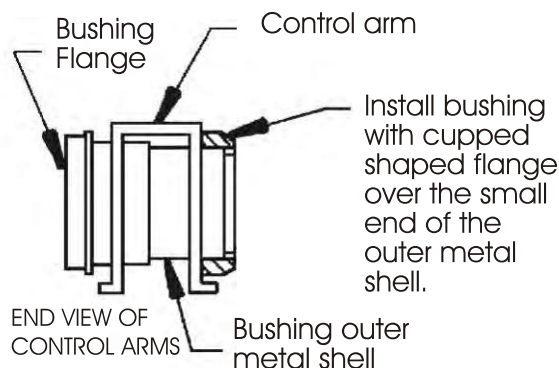


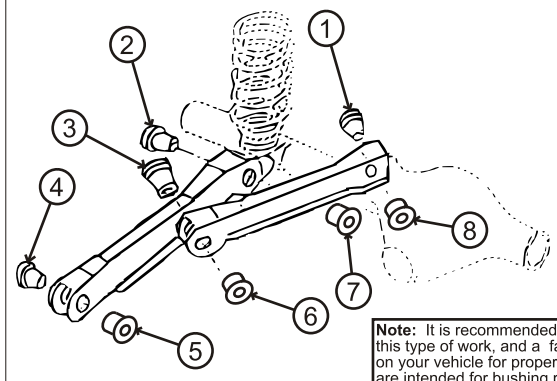
Installation Instructions for Set # 5-3120 & Set # 5-3131

Must use existing outer metal shells. DO NOT REMOVE FROM CONTROL ARMS!

NOTE: Make sure the bolts fit in the new sleeves before removing the rubber bushings from the control arms!
 Remove old metal sleeve and rubber from the shell I.D.
 Make sure the I.D. of the shells are clean and free of any old rubber.
 Apply a light coat of grease to the I.D. of the metal shell.
 Apply a light coat of grease to the I.D., O.D. and bushing flange.
 Apply a light coat of grease to the O.D. of the new inner metal sleeve.
 Install the bushings in the shell and install the inner sleeve last.
 Apply a light coat of grease to the faces of the bushing flanges that contact metal surfaces.
 Reinstall control arms onto vehicle, torque bolts to factory specs.



17373
4/14/12 BRH



Set # 5-3120 1994-99 Dodge Ram

Position	Part #
1 & 3	3302 bushing (15.10.148.39 INNER SLEEVE .750 O.D. x .480 I.D. x 2.35 Lg.)
2 & 4	3301 bushing (15.10.237.39 INNER SLEEVE .875 O.D. x .563 I.D. x 2.60 Lg.)
5 & 7	3300 bushing
6 & 8	3303 bushing

Set # 5-3131 2000-02 Dodge Ram

Position	Part #
1 & 3	3302 bushing (15.10.504.39 INNER SLEEVE .750 O.D. x .563 I.D. x 2.35 Lg.)
2 & 4	3301 bushing (15.10.396.39 INNER SLEEVE .875 O.D. x .640 I.D. x 2.60 Lg.)
5 & 7	3300 bushing
6 & 8	3303 bushing

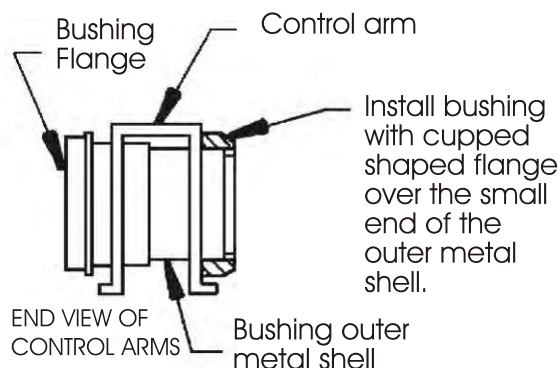
Note: It is recommended that this set be professionally installed if you are unfamiliar with this type of work, and a factory service manual be purchased prior to performing any work on your vehicle for proper disassembly, reassembly and torque specs. These instructions are intended for bushing removal and install of Energy Suspension polyurethane bushings, once you have removed the factory component from your vehicle.

© 2002 Energy Suspension. All rights reserved.
 May not be reproduced, in any form, or by any means, without the written consent of Energy Suspension.

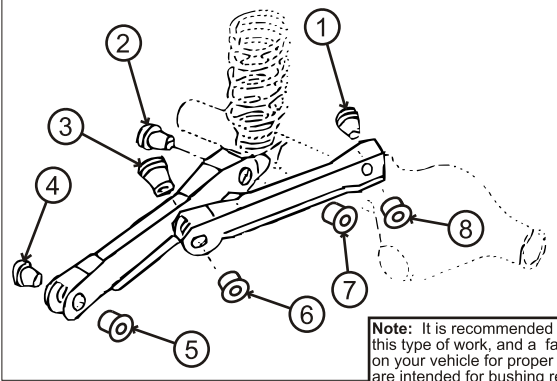
Installation Instructions for Set # 5-3120 & Set # 5-3131

Must use existing outer metal shells. DO NOT REMOVE FROM CONTROL ARMS!

NOTE: Make sure the bolts fit in the new sleeves before removing the rubber bushings from the control arms!
 Remove old metal sleeve and rubber from the shell I.D.
 Make sure the I.D. of the shells are clean and free of any old rubber.
 Apply a light coat of grease to the I.D. of the metal shell.
 Apply a light coat of grease to the I.D., O.D. and bushing flange.
 Apply a light coat of grease to the O.D. of the new inner metal sleeve.
 Install the bushings in the shell and install the inner sleeve last.
 Apply a light coat of grease to the faces of the bushing flanges that contact metal surfaces.
 Reinstall control arms onto vehicle, torque bolts to factory specs.



17373
4/14/12 BRH



Set # 5-3120 1994-99 Dodge Ram

Position	Part #
1 & 3	3302 bushing (15.10.148.39 INNER SLEEVE .750 O.D. x .480 I.D. x 2.35 Lg.)
2 & 4	3301 bushing (15.10.237.39 INNER SLEEVE .875 O.D. x .563 I.D. x 2.60 Lg.)
5 & 7	3300 bushing
6 & 8	3303 bushing

Set # 5-3131 2000-02 Dodge Ram

Position	Part #
1 & 3	3302 bushing (15.10.504.39 INNER SLEEVE .750 O.D. x .563 I.D. x 2.35 Lg.)
2 & 4	3301 bushing (15.10.396.39 INNER SLEEVE .875 O.D. x .640 I.D. x 2.60 Lg.)
5 & 7	3300 bushing
6 & 8	3303 bushing

Note: It is recommended that this set be professionally installed if you are unfamiliar with this type of work, and a factory service manual be purchased prior to performing any work on your vehicle for proper disassembly, reassembly and torque specs. These instructions are intended for bushing removal and install of Energy Suspension polyurethane bushings, once you have removed the factory component from your vehicle.

© 2002 Energy Suspension. All rights reserved.
 May not be reproduced, in any form, or by any means, without the written consent of Energy Suspension.