

Installation Instructions

For Set # 8.3137
Front Control Arm Bushings
91-97 Toyota Land Cruiser

ENERGY
SUSPENSION®

1131 VIA CALLEJON, SAN CLEMENTE, CA 92673

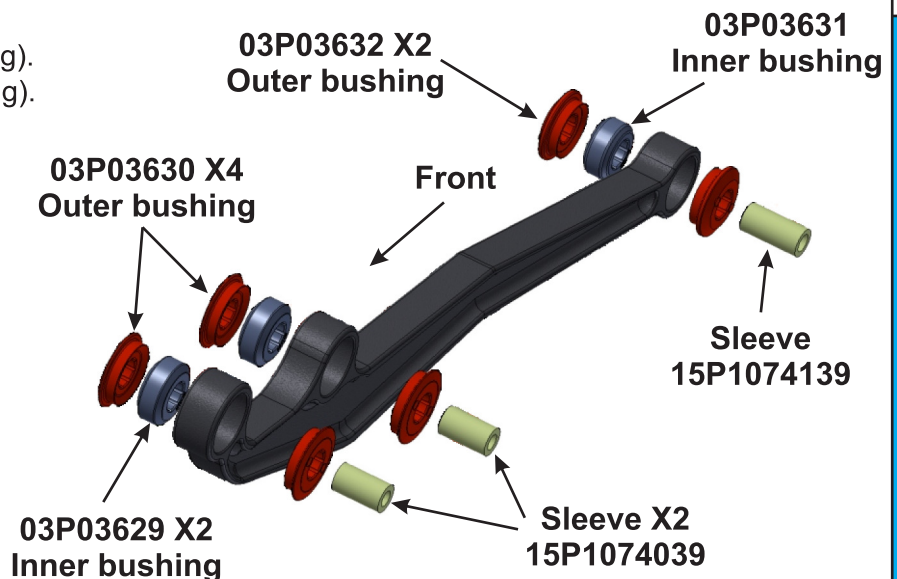
© 2020 Energy Suspension. All rights reserved.
May not be reproduced, in any form, or by any means,
without the written consent of Energy Suspension.

It is recommended that if you are unfamiliar with this type of work that you seek a qualified service center specializing in this type of work. It is also recommended that if you choose to do this work yourself that a factory service manual be obtained for the proper procedures pertaining to removal, replacement and proper torque specifications for your vehicle. This instruction set is intended as a guideline for the safe installation of Energy Suspension's polyurethane bushings, once you have removed the factory components from your vehicle. Wheel alignment is almost always disturbed when suspension components are removed or replaced. It is recommended that you have the alignment checked on your vehicle at a qualified alignment shop. Energy Suspension recommends that you read over all the installation instructions and check all P/N's and quantities in the parts list before you start. Call customer service at 949-361-3935 if the parts in your kit do not match this parts list. Prior to installation, make sure that your vehicle is in top mechanical condition and that there are no suspension or steering related problems. This part has been designed to work only with a vehicle that is in good state of repair. No matter how carefully we design our parts, this is one area we have no control over and Energy Suspension cannot be held responsible.

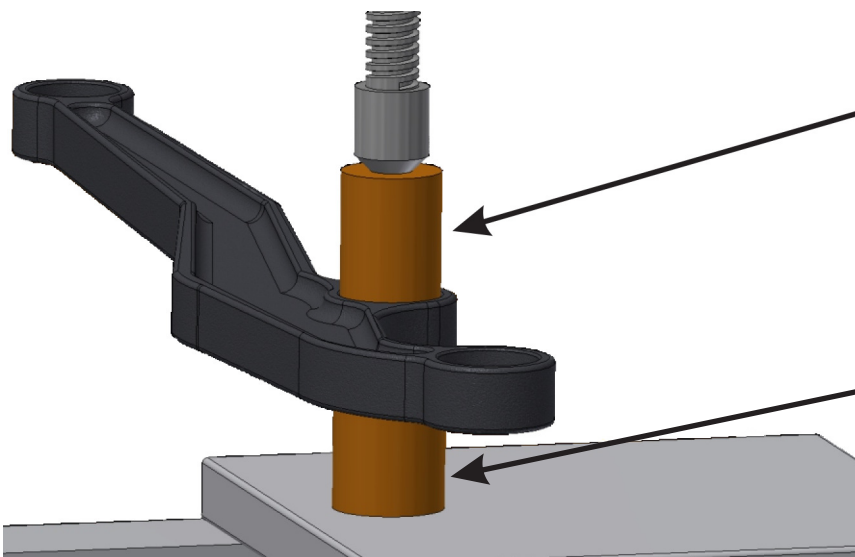
Parts list:

- 4 - 03P03629 (Front 2 position inner bushing).
- 8 - 03P03630 (Front 2 position outer bushing).
- 2 - 03P03631 (Rear inner bushing).
- 4 - 03P03632 (Rear outer bushing).
- 4 - 15P1074039 (Front 2 position sleeve 1.125"O.D. x .640"I.D. x 1.960"LG).
- 2 - 15P1074139 (Rear position sleeve 1.125"O.D. x .718"I.D. x 2.340"LG).
- 1 - 17P17728 (this instruction sheet).

Toyota recommends using **NEW** nuts and bolts during installation. Torque control arm nut & bolts to 127 ft. Lbs.



THE CONTROL ARMS HAVE RUBBER BUSHINGS BONDED TO OUTER METAL SHELLS AND INNER METAL SLEEVES. THE OLD OUTER METAL SHELLS MUST BE PRESSED OUT. When pressing the outer metal shell out of the control arm, you need to push it with something smaller than the inside diameter of the control arm. And the receiver end needs to be bigger than the outside diameter of the old metal shell being pushed out. Only remove and replace one control arm at a time. AFTER the metal shells have been pressed out of the control arms, remove any sharp edges that will cut the new polyurethane bushings. Apply grease to all metal parts that contact the polyurethane bushings.



Inside diameter of control arm front 2 positions is 2.360" (60mm). Push out old metal shell with something smaller than 2.360". Inside Diameter of control arm rear position is 2.125" (54mm). Push out old old metal shell with something smaller than 2.125".

The inside of receiver for control arm front 2 positions need to be bigger than 2.360" (60mm)". The inside of receiver for control arm rear position needs to be bigger than 2.125" (54mm)".

17P17728

1/SEP/20 BRH ECN 20001