

Installation Guide

Z5086

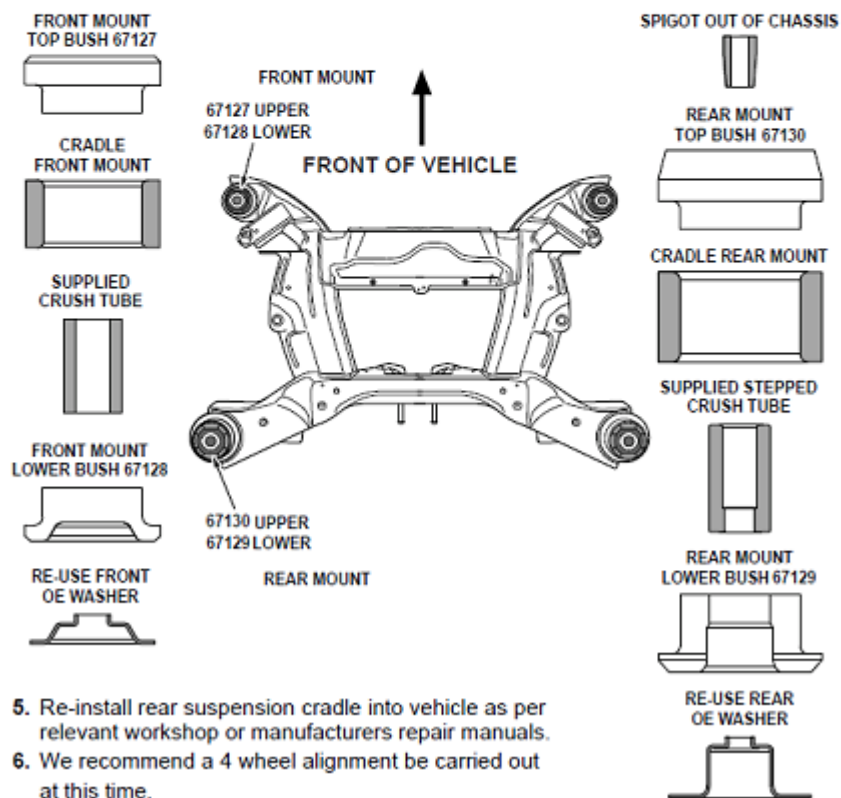
Rear Suspension Cradle - Mount Kit

Suits: Chevrolet Camaro 09 - on

(Always refer to the current catalogue for complete application listings)

N.B: These instructions should be used in conjunction with the workshop manual.

1. Raise and support vehicle on hoist or alternatively on safety stands.
2. Remove rear suspension cradle as per relevant workshop or manufacturers repair manual.
3. Using suitable press equipment remove the OE cradle bushes from the front and rear mount points on the left and right hand sides.
4. As per diagrams below grease and install the supplied bushes and center sleeves.



5. Re-install rear suspension cradle into vehicle as per relevant workshop or manufacturers repair manuals.
6. We recommend a 4 wheel alignment be carried out at this time.

N.B: It is recommended that a licenced workshop or trades person carry out the above procedure and that workshop manual and relevant safety procedures are followed in addition to the above.

Installation Guide

Z5086

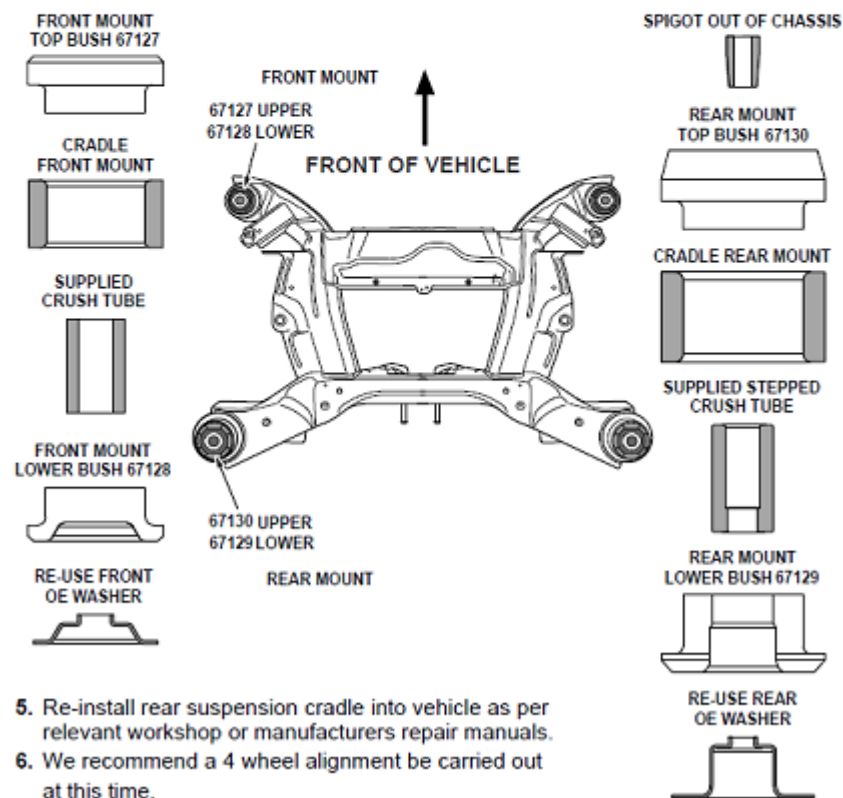
Rear Suspension Cradle - Mount Kit

Suits: Chevrolet Camaro 09 - on

(Always refer to the current catalogue for complete application listings)

N.B: These instructions should be used in conjunction with the workshop manual.

1. Raise and support vehicle on hoist or alternatively on safety stands.
2. Remove rear suspension cradle as per relevant workshop or manufacturers repair manual.
3. Using suitable press equipment remove the OE cradle bushes from the front and rear mount points on the left and right hand sides.
4. As per diagrams below grease and install the supplied bushes and center sleeves.



5. Re-install rear suspension cradle into vehicle as per relevant workshop or manufacturers repair manuals.
6. We recommend a 4 wheel alignment be carried out at this time.

N.B: It is recommended that a licenced workshop or trades person carry out the above procedure and that workshop manual and relevant safety procedures are followed in addition to the above.